

前 言

本零件目录对 SD22、SD22E、SD22S、SD22D、SD22R、SD22C 六种型号推土机的零件进行了综合编制。

零件号栏内标有 () 的部件，为销售总成号。

发动机所属零件，详见发动机零件目录。

因产品改进所增减的零件，恕不另行通知，以后再版时修订，请用户谅解。

FOREWORD

In this Parts Book are listed parts of bulldozers in 6 models SD22, SD22E, SD22S, SD22D, SD22R, SD22C as common part and special.

When a part with () is an assembly part, it is only supplied as part of an assembly.

With regard to parts of engine see "Parts Book of Engine."

Due to continuous research and improvement. Some parts may be changed without notice. Please consult your SHANTUI distributor for items you may require.

If you want the full parts manual,
welcome to contact us!!!

Email:kevin@xcmgmachinery.com

QQ:331027109

Wechat:+86 18205208168

Whatsapp:+86 18151895261

SHANTUI

目 录

CONTENTS

图 号 页 数
Fig No. Page

1. 发动机关联部件

ENGINE RELATED PARTS

发动机安装	101	2~3
ENGINE MOUNT		
分动箱	102	4~7
TRANSFER CASE		
油门操纵杆	103	8~9
FUEL CONTROL LEVER		
减速踏板	104	10~11
DECELERATOR PEDAL		
油门操纵联动装置	105	12~13
FUEL CONTROL LINKAGE		
散热器	106	14~21
RADIATOR		
散热器管路及护风罩	107	22~25
RADIATOR PIPING AND WIND BREAK		
燃油箱	108	26~27
FUEL TANK		
燃油管路	109	28~29
FUEL PIPING		
排气管及消音器	110	30~31
EXHAUST MANIFOLD AND MUFFLER		
飞轮壳总成	111	32~33
FLYWHEEL HOUSING ASS'Y		
出力装置	112	34~37
POWER TAKE OFF		
出力装置润滑油管	113	38~39
P. T. O LUBRICATING OIL PIPING		
前支架	114	40
FRONT SUPPORT		
风扇	115	41
FAN		
空气滤清器及罩	116	42~45
AIR CLEANER AND CAP		

2. 液力变矩器、变速箱及管路

TORQUE CONVERTOR, TRANSMISSIN AND PIPING

万向节	201	48~49
UNIVERSAL JOINT		

液力变矩器壳	202	50~53
TORQUE CONVERTER HOUSING		
涡轮轴和导轮	203	54~57
TURBINE SHAFT AND STATOR		
变速箱壳	204	58~59
TRANSMISSION CASE		
变速箱齿轮和轴 (1/3)	205	60~63
TRANSMISSION GEAR AND SHAFT		
变速箱齿轮和轴 (2/3)	206	64~67
TRANSMISSION GEAR AND SHAFT		
变速箱齿轮和轴 (3/3)	207	68~71
TRANSMISSION GEAR AND SHAFT		
分动箱及齿轮	208	72~73
TRANSFER CASE AND GEAR		
变速控制阀 (1/3)	209	74~75
TRANSMISSION CONTROL VALVE		
变速控制阀 (2/3)	210	76~79
TRANSMISSION CONTROL VALVE		
变速控制阀 (3/3)	211	80~83
TRANSMISSION CONTROL VALVE		
变速控制杆	212	84~87
TRANSMISSION CONTROL LEVER		
变速控制连杆 (1/3)	213	88~89
TRANSMISSION CONTROL LINKAGE		
变速控制连杆 (2/3)	214	90~91
TRANSMISSION CONTROL LINKAGE		
变速控制连杆 (3/3)	215	92~93
TRANSMISSION CONTROL LINKAGE		
变速泵	216	94~95
TRANSMISSION PUMP		
液力变矩器管路 (1/2)	217	96~99
TORQUE CONVERTER PIPING		
液力变矩器管路 (2/2)	218	100~101
TORQUE CONVERTER PIPING		
变速管路	219	102~105
TORQFLOW TRANSMISSION PIPING		
3. 转向箱及终传动		
STEERING CASE AND FINAL DRIVE		
转向箱及主机架	301	108~109
STEERING CASE AND MAIN FRAME		
伞齿轮及轴	302	110~111
BEVEL GEAR AND SHAFT		

转向离合器	303	112~113
STEERING CLUTCH		
制动带及联动装置	304	114~115
BRAKE BAND AND LINKAGE		
制动盖	305	116~117
BRAKE CASE COVER		
制动助力器	306	118~119
BRAKE BOOSTER		
终传动箱及齿轮 (1/2)	307	120~121
FINAL DRIVE CASE AND GEAR		
终传动箱及齿轮 (2/2)	308	122~123
FINAL DRIVE CASE AND GEAR		
链轮及轴	309	124~125
SPROCKET AND SHAFT		
转向控制杆	310	126~127
STEERING CONTROL LEVER		
转向制动连杆 (1/2)	311	128~129
STEERING AND BRAKE LINKAGE		
转向制动连杆 (2/2)	312	130~131
STEERING AND BRAKE LINKAGE		
制动踏板	313	132~133
BRAKE PEDAL		
制动闭锁杆	314	134~135
BRAKE PARKING LEVER		
转向泵	315	136~137
STEERING PUMP		
转向阀	316	138~141
STEERING CONTROL VALVE		
主调压阀	317	142~143
MAIN RELIEF VALVE		
精滤油器	318	144~145
TRANSMISSION OIL FILTER		
粗滤油器	319	146~147
OIL STRAINER		
转向管路 (1/3)	320	148~149
STEERING PIPING		
转向管路 (2/3)	321	150~151
STEERING PIPING		
转向管路 (3/3)	322	152~153
STEERING PIPING		
制动管路	323	154~155
BRAKE PIPING		
集中润滑管路	324	156~157
CONCENTRATED PIPING		
集中测压管路	325	158~159
TEST PRESSURE PIPING		

4. 行走装置

TRACK MECHANISM

台车架·····	401···	162~163
TRACK FRAME		
涨紧装置·····	402···	164~167
RECOIL MECHANISM		
台车架盖·····	403···	168~169
TRACK FRAME COVER		
履带滚轮护轨·····	404···	170~171
TRACK ROLLER GUARD		
引导轮·····	405···	172~173
IDLER		
支重轮·····	406···	174~175
TRACK ROLLER		
托轮·····	407···	176~177
CARRIER ROLLER		
履带(标准型)·····	408···	178~179
TRACK SHOE (STD)		
履带(润滑型)·····	409···	180~181
TRACK SHOE(LUBRICATE TYPE)		

5. 护罩

GUARD

散热器护架·····	501···	184~185
RADIATOR GUARD		
发动机罩·····	502···	186~189
ENGINE HOOD		
翼板·····	503···	190~193
FENDER		
支撑·····	504···	194~197
SUPPORT		
地板架·····	505···	198~201
FLOOR FRAME		
蓄电池罩·····	506···	202~203
BATTERY COVER		
底护板·····	507···	204~205
BOTTOM GUARD		
油缸支架·····	508···	206~207
CYLINDER SUPPORT		
防翻滚架·····	509···	208~209
ROLLOVER PROTECTIVE STRUCTURE		
防翻滚架安装·····	510···	210~211
ROLLOVER PROTECTIVE STRUCTURE MOUNT		
平衡梁·····	511···	212~213
EQUALIZER BAR		

牵引架	512	214~215
DRAWBAR		
牵引架(湿地型)	513	216~217
DRAWBAR(FOR SD22S)		
后刮泥装置及牵引架(环卫型)	514	218~219
REAR SCRAPE MUD EQUIPMENT AND DRAWBAR(FOR SD22R)		
前刮泥装置	515	220~221
FRONT SCRAPE MUD EQUIPMENT		
驾驶室	516	222~223
CAB		
司机座	517	224~225
OPERATOR SEAT		
6. 附属装置控制系统		
ATTACHMENT CONTROL SYSTEM		
液压泵	601	228~229
HYDRAULIC PUMP		
液压油箱(1/2)	602	230~231
HYDRAULIC TANK		
液压油箱(2/2)	603	232~233
HYDRAULIC TANK		
液压滤油器	604	234~235
HYDRAULIC FILTER		
铲刀提升和倾斜操纵阀(1/2)	605	236~239
BLADE LIFT AND TILT CONTROL VALVE		
铲刀提升和倾斜操纵阀(2/2)	606	240~241
BLADE LIFT AND TILT CONTROL VALVE		
松土器控制阀(1/2)	607	242~243
RIPPER CONTROL VALVE		
松土器控制阀(2/2)	608	244~245
RIPPER CONTROL VALVE		
铲刀提升油缸(1/2)	609	246~249
BLADE LIFT CYLINDER		
铲刀提升油缸(2/2)	610	250~251
BLADE LIFT CYLINDER		
倾斜油缸	611	252~253
BLADE TILT CYLINDER		
液压管路(自箱至泵)	612	254~255
HYDRAULIC PIPING(from tank to pump)		
液压管路(自箱至升降缸)(1/2)	613	256~257
HYDRAULIC PIPING(from tank to lift cylinder)		
液压管路(自箱至升降缸)(2/2)	614	258~259
HYDRAULIC PIPING(from tank to lift cylinder)		
液压管路(SD22S用)(1/2)	615	260~261
HYDRAULIC PIPING(For SD22S)		
液压管路(SD22S用)(2/2)	616	262~263
HYDRAULIC PIPING(For SD22S)		

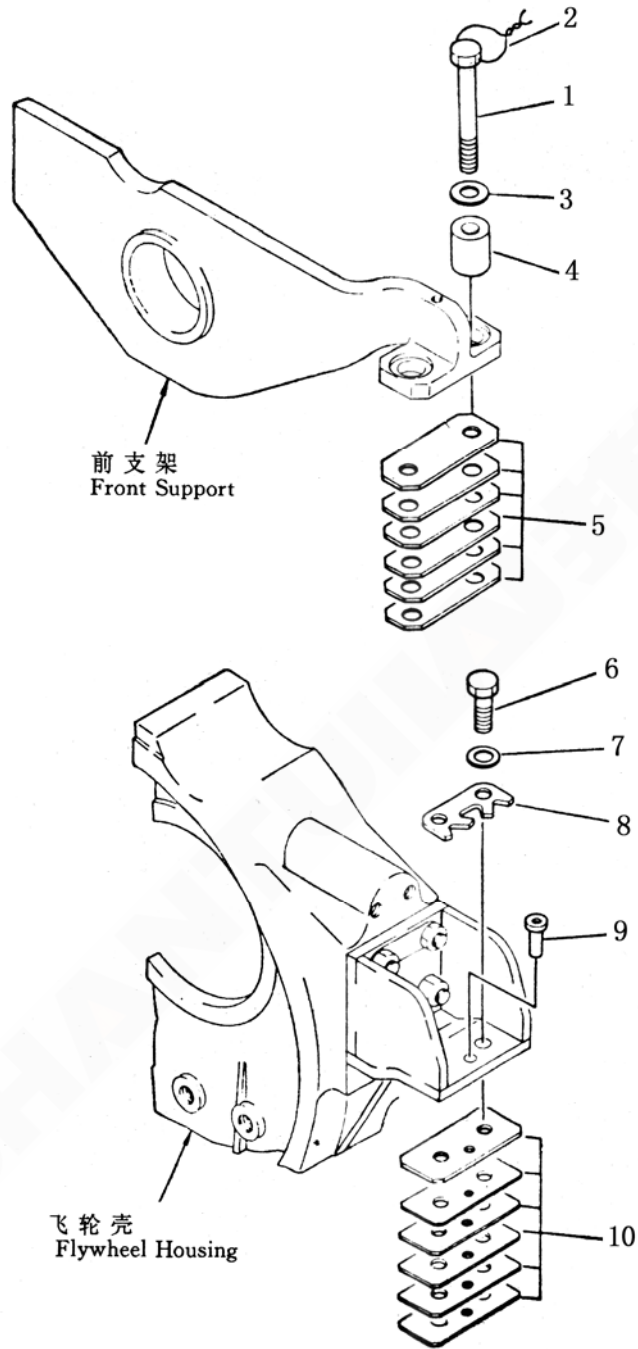
液压管路(自箱至倾斜缸) (1/2)	617	264~265
HYDRAULIC PIPING(from tank to tilt cylinder)		
液压管路(自箱至倾斜缸) (2/2)	618	266~267
HYDRAULIC PIPING(from tank to tilt cylinder)		
液压管路(SD22S 用) (1/2)	619	268~271
HYDRAULIC PIPING(For SD22S)		
液压管路(SD22S 用) (2/2)	620	272~273
HYDRAULIC PIPING(For SD22S)		
倾斜及松土器操纵随动阀	621	274~277
TILT AND RIPPER CONTROL SERVO VALVE		
随动阀管路	622	278~279
SERVO VALVE PIPING		
操纵杆托架及阀座	623	280~281
CONTROL LEVER BRACKET AND VALVE SEAT		
铲刀操纵杆	624	282~285
BLADE CONTROL LEVER		
松土器操纵杆	625	286~287
RIPPER CONTROL LEVER		
升降及松土器操纵联动装置	626	288~289
LIFT AND RIPPER CONTROL LINKAGE		
倾斜操纵联动装置	627	290~291
TILT CONTROL LINKAGE		
铲刀操纵联动装置	628	292~293
BLADE CONTROL LINKAGE		
升降操纵随动阀	629	294~297
LIFT CONTROL SERVO VALVE		
7. 工作装置		
WORK EQUIPMENT		
半 U 型铲	701	300~301
BLADE SEMI-U DOZER		
直倾铲	702	302~303
STRAIGHT TILT BLADE		
推杆	703	304~307
STRAIGHT TILT FRAME		
直倾铲 (SD22S 用)	704	308~309
STRAVGH TILT BLADE(For SD22S)		
推杆 (SD22S 用)	705	310~311
STRAIGHT TILT FRAME(For SD22S)		
松土器	706	312~315
RIPPER		
松土器管路	707	316~317
RIPPER PIPING		
松土器油缸	708	318~321
RIPPER CYLINDER		
角铲	709	322~323
ANGLE BLADE		

	图 号 页 数
	Fig No. Page
弓形架.....	710...324~325
U-FRAME	
U 型铲.....	711...326~327
U-BLADE	
单齿松土器.....	712...328~329
SINGLE SHANK RIPPER	
单齿松土器操纵杆.....	713...330~331
SINGLE SHANK RIPPER CONTROL LEVER	
单齿松土器升降油缸.....	714... 332
SINGLE SHANK RIPPER LIFT CYLINDER	
单齿松土器调角油缸.....	715... 333
SINGLE SHANK RIPPER TILT CYLINDER	
单齿松土器调角油缸(左).....	716...334~335
SINGLE SHANK RIPPER TILT CYLINDER	
单齿松土器调角油缸(右).....	717...336~337
SINGLE SHANK RIPPER TILT CYLINDER	
单齿松土器液压管路(1/5)	718...338~339
SINGLE SHANK RIPPER PIPING	
单齿松土器液压管路(2/5)	719...340~341
SINGLE SHANK RIPPER PIPING	
单齿松土器液压管路(3/5)	720...342~343
SINGLE SHANK RIPPER PIPING	
单齿松土器液压管路(4/5)	721...344~345
SINGLE SHANK RIPPER PIPING	
单齿松土器液压管路(5/5)	722...346~347
SINGLE SHANK RIPPER PIPING	
8. 电气系统	
ELECTRICAL SYSTEM	
电气系统(1/2)	801...350~351
ELECTRICAL SYSTEM	
电气系统(2/2)	802...352~353
ELECTRICAL SYSTEM	
仪表箱	803...354~355
INSTRUMENT BOX	
继电器和保险丝盒	804...356~357
RELAY AND FUSE BOX	
蓄电池和电池继电器	805...358~359
BATTERY AND RELAY SWITCH	
9. 标牌布置图	
MARK AND PLATE	
标牌布置图	901...362~363
MARK AND PLATE	

发动机关联部件
ENGIEN RELATED PARTS

SHANTUIMAN

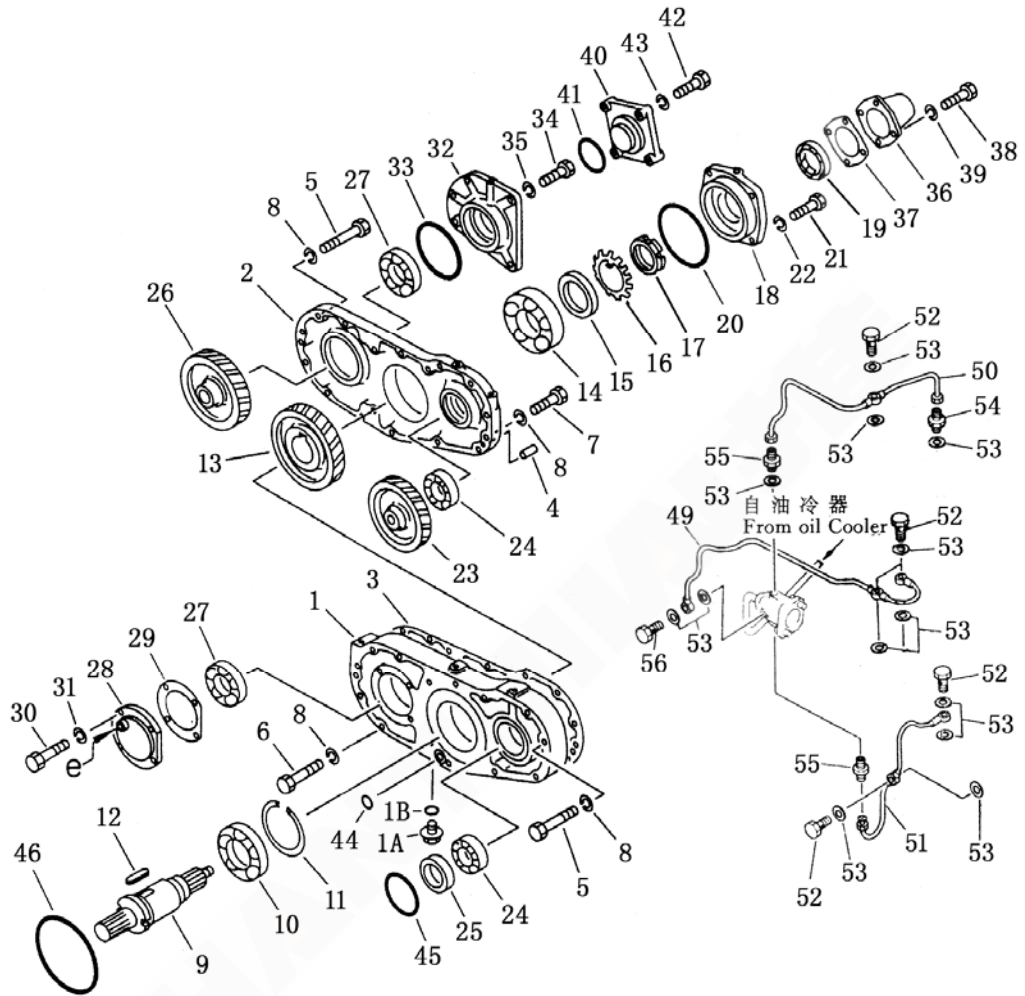
第 101 图 发动机悬挂
FIG.101 ENGINE MOUNT



发动机悬挂
ENGINE MOUNT

序号 INDEX NO.	图号 PART NO.	名称 DESCRIPTION	数量 QTY
101-1	01015-52200	前螺栓 bolt, front	4
2	04059-01680	锁紧用钢丝 wire, lock	2
3	01643-32260	垫圈 washer	4
4	195-01-11190	衬垫 spacer	4
5	154-01-11570	前垫板总成 shim ass' y, front	2
	154-01-11580	前垫板总成 shim ass' y, front	10
6	01010-52255	后螺栓 bolt, rear	4
7	154-01-11550	垫圈 washer	4
8	154-01-11560	锁垫板 plate, lock	2
9	6681-21-4750	定位销 pin, dowel	2
10	154-01-11590	后垫板总成 shim ass' y, back	2
	154-01-11610	后垫板总成 shim ass' y, back	10

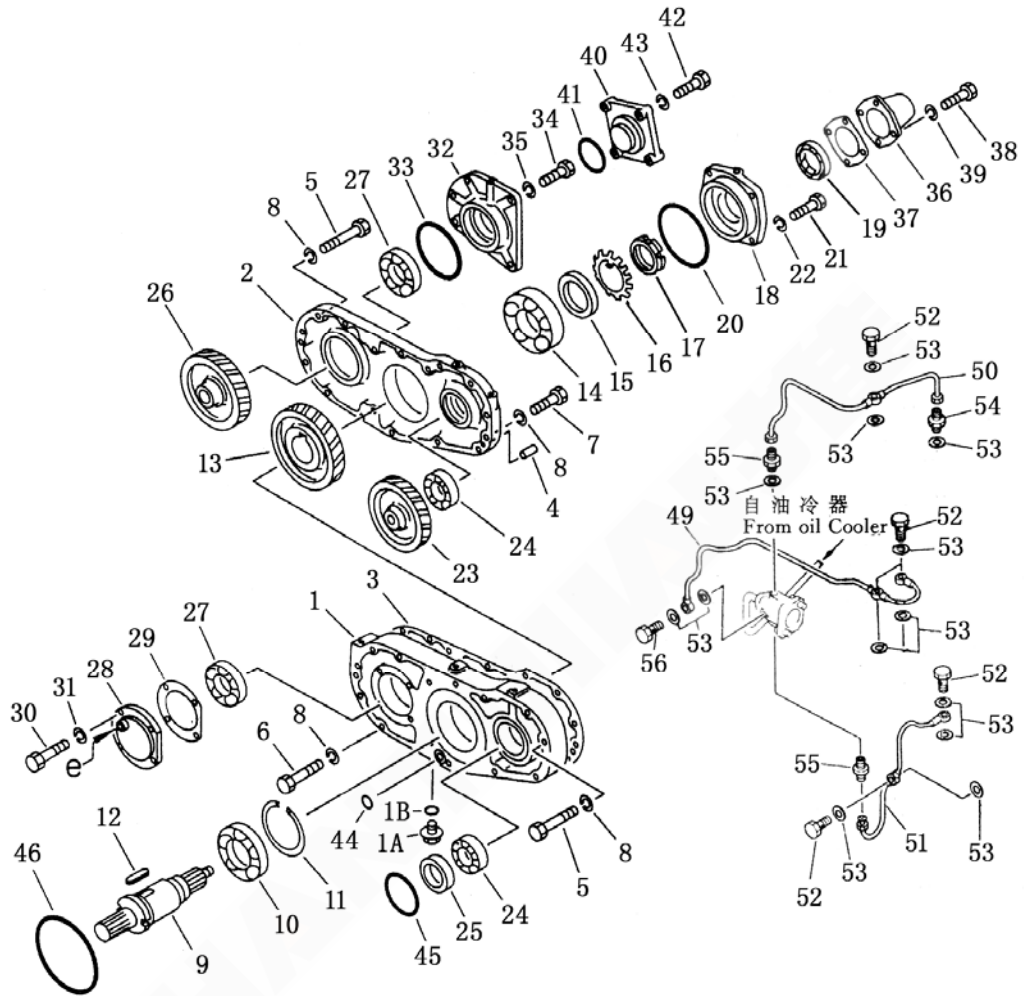
第102图 分动箱
 FIG.102 TRANSFER CASE



分动箱
TRANSFER CASE

序号 INDEX NO.	件号 Part No.	名称 Description	数量 Q'ty
	23Y-02B-00000	分动箱总成 power take off ass'y	1
102-1	154-38-25110	齿轮箱 case	1
1A	07044-12412	堵 play	1
1B	07002-02434	O形圈 O-ring	1
2	154-01-12121	分动箱 case power take off	1
3	154-01-12131	(箱)填密垫 gasket , case	1
4	04020-01024	定位销 pin ,dowel	2
5	01011-51205	螺栓 bolt	13
6	01010-51275	螺栓 bolt	2
7	01010-51250	螺栓 bolt	2
8	01602-21236	弹簧垫圈 washer spring	17
9	154-01-12220	轴 shaft	1
10	154-01-12280	滚柱轴承 bearing roller	1
11	150-21-22180	卡环 ring snap	1
12	04000-02050	键 key	2
13	154-01-12230	齿轮 gear	1
14	06040-06314	滚珠轴承 bearing hall	1
15	154-01-12240	套环 collar	1
16	01658-16823	锁紧垫圈 washer lock	1
17	01530-06814	螺母 nut	1
18	154-01-12250	盖 cover	1
19	07012-00060	油封 seal oil	1
20	07000-05150	O形圈 O-ring	1
21	01010-51230	螺栓 bolt	4
22	01602-21236	弹簧垫圈 washer , spring	4
23	154-38-25150	齿轮 gear	1
24	06040-06209	滚珠轴承 bearing ball	2
25	154-01-12320	环 ring	1
26	154-01-12410	齿轮 gear	1
27	06040-06212	滚柱轴承 bearing roller	2
28	154-01-12420	盖 cover	1
29	154-01-12431	填密垫 gasket	1
30	01010-51025	螺栓 bolt	4
31	01602-21030	弹簧垫圈 washer spring	4
32	154-01-12440	轴承盖 case , bearing	1
33	07000-05130	O形圈 O-ring	1
34	01010-51250	螺栓 bolt	2
35	01602-21236	弹簧垫圈 washer spring	2
36	154-01-12260	盖 cover	1

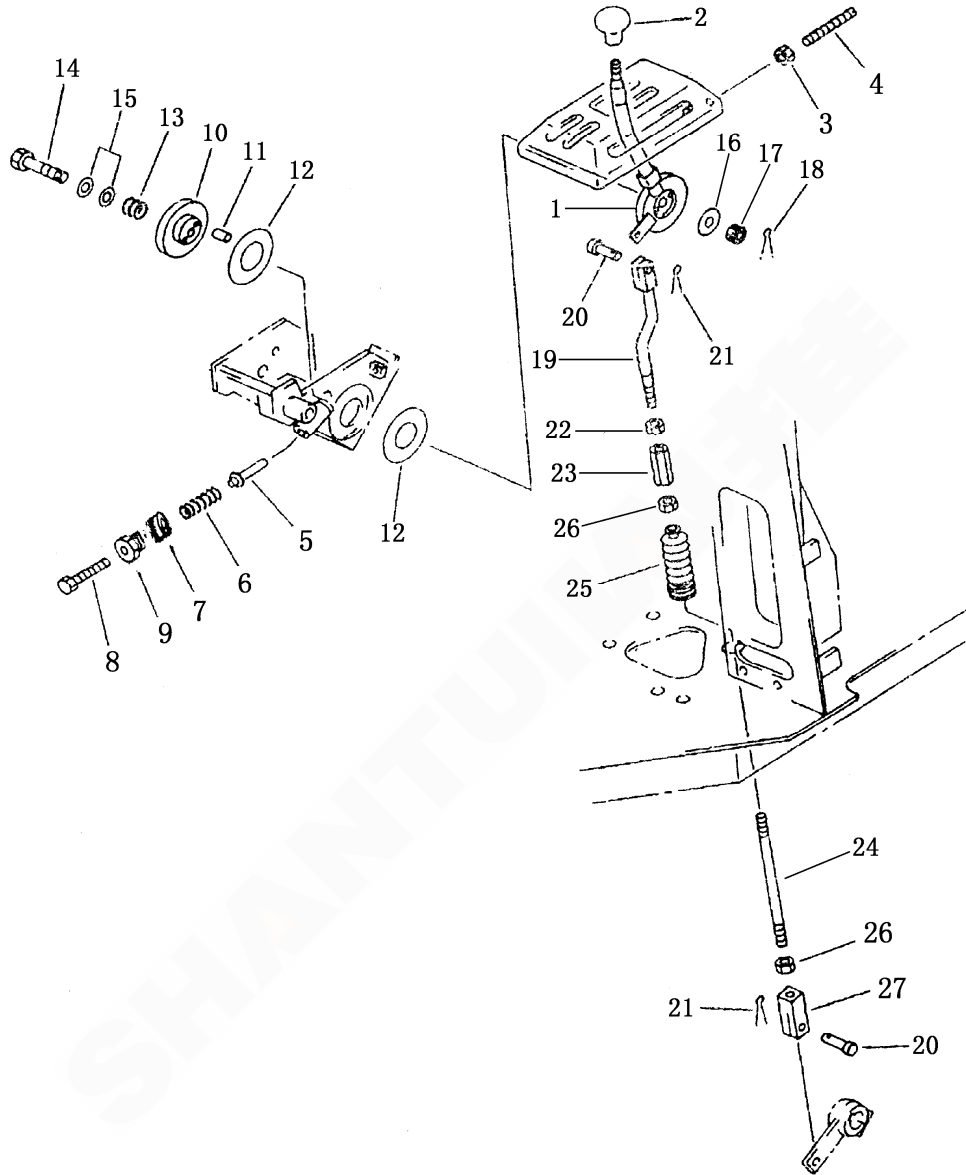
第102图 分动箱
 FIG.102 TRANSFER CASE



分动箱
TRANSFER CASE

序 号 INDEX NO.	件 号 Part No.	名 称 Description	数量 Q'ty
102-37	154-01-12270	填密垫 gasket	1
38	01010-51025	螺栓 bolt	4
39	01602-21030	弹簧垫圈 washer spring	4
40	154-01-12450	盖 cover	1
41	07000-03078	O形圈 o-ring	1
42	01010-51245	螺栓 bolt	4
43	01602-21236	弹簧垫圈 washer spring	4
44	07000-03030	O形圈 o-ring	1
45	07000-02105	O形圈 o-ring	1
46	07000-05195	O形圈 o-ring	1
49	154-01-12530	管 tube	1
50	154-01-12541	管 tube	1
51	154-01-12552	管 tube	1
52	6600-01-3860	螺栓管接头 bolt, joint	5
53	07005-01012	填密垫 gasket	15
54	154-01-12520	管接头 nipple	1
55	07211-50610	管接头 nipple	2
56	07206-10610	连接螺栓 bolt, link	1

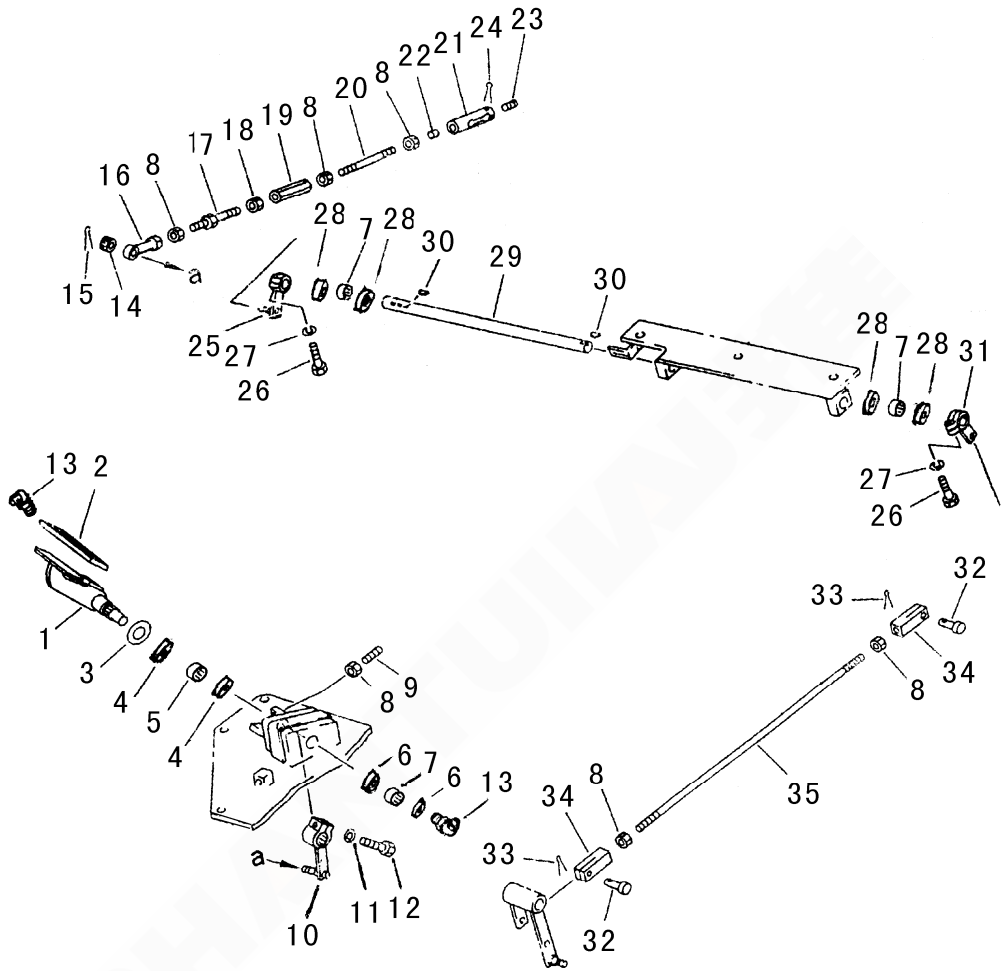
第103图 油门操纵杆
FIG.103 FUEL CONTROL LEVER



油门操纵杆
FUEL CONTROL LEVER

序号 INDEX NO.	件号 Part No.	名称 Description	数量 Q'ty
103-1	154-43-44110	油门操纵杆 lever	1
2	09304-01250	手柄 knob	1
3	GB6172-86	六角薄螺母 M10 nut	1
4	154-43-44270	螺钉 screw	1
5	17Y-05-00008	销 pin	1
6	170-54-11230	弹簧 spring	1
7	17Y-05-00006	垫 washer	1
8	01016-50860	螺栓 M8×60 bolt	1
9	154-43-44250	螺帽 cap	1
10	154-43-14710	园盘 disc	1
11	04020-00616	销 6×16 pin	1
12	101-43-11281	磨擦衬片 facing	2
13	154-43-14710	弹簧 spring	1
14	01052-51265	螺栓 M12×1.5×65 bolt	1
15	01640-21223	垫圈 12 washer	2
16	101-43-11380	垫 cover	1
17	01593-11210	螺母 M12×1.5 nut	1
18	04050-13030	开口销 3×30 pin	1
19	154-43-44120	杆 rod	1
20	04205-10822	销轴 8×22 pin	2
21	04050-12016	开口销 2×16 pin cotter	2
22	01508-21006	螺母 M10×1.25 左 nut	1
23	178-43-12180	调整螺母 adjusting nut	1
24	04245-41025	杆 rod	1
25	195-43-42280	橡胶套 bellows	1
26	01582-11008	螺母 M10×1.25 nut	2
27	198-43-18170	叉口板 yoke	1

第104图 减速踏板
FIG.104 DECELERATOR PEDAL



减 速 踏 板
DECELERATOR PEDAL

序 号 INDEX NO.	件 号 Part No.	名 称 Description	数量 Q'ty
104-1	195-43-42350	脚踏板 pedal	1
2	17Y-05-00016	橡胶板 plate rubber	1
3	01643-32460	垫圈 washer	1
4	06122-02504	防尘密封圈 seal ring	2
5	GB290-82	只有冲压外圈的滚针 bearing, roller	1
		轴承 20941/25 needle	
6	06122-02004	防尘密封圈 seal ring	2
7	GB290-82	只有冲压外圈的滚针 bearing, roller	3
		轴承 37941/20 needle	
8	01582-11008	螺母 M10×1.25 nut	6
9	175-43-35210	螺钉 screw	1
10	17Y-05-08000	杠杆 lever	1
11	01643-31032	垫圈 10 washer	1
12	01010-51040	螺栓 M10×40 bolt	1
13	07021-01090	接头式压注油杯 fitting grease	2
14	01593-11008	螺母 M10×1.25 bolt	1
15	04050-12018	开口销 2×18 pin cotter	1
16	04250-81056	关节轴承 end rod	1
17	04248-31016	杆 rod	1
18	01508-21006	螺母 M10×1.25 左 nut	1
19	176-43-43190	调整螺母 adjusting nut	1
20	04245-41016	杆 rod	1
21	195-43-42410	调整螺母 adjusting nut	1
22	17Y-05-00019	挡销 pin, stopper	1
23	154-44-14570	挡销 pin, stopper	1
24	04050-12022	开口销 2×22 pin cotter	1
25	154-43-44231	杠杆 lever	1
26	01010-50830	螺栓 M8×30 bolt	2
27	01602-20825	垫圈 8 washer spring	2
28	06122-02004	防尘密封圈 seal ring	4
29	154-43-44240	轴 shaft	1
30	04010-00519	半园键 half-round key	2
31	17Y-05-10000	杠杆 lever	1
32	04205-10822	销轴 8×22 pin	2
33	04050-12016	开口销 2×16 pin cotter	2
34	198-43-18170	叉口板 yoke	2
35	04245-41062	杆 rod	1